

# STI HEATED POLYCARBONATE ENCLOSURES

## Heated Covers Help Protect Electronic Devices from Vandalism and Severe Environments

These covers are ideal for protecting a wide range of devices, components and sensitive units from vandalism and accidental damage as well as weather, dirt, dust and grime. Covers are designed to maintain a temperature above freezing which allows the protected unit to be installed outdoors, in freezers, unheated warehouses or storage units. The radiant heat plate prevents LCD displays from becoming sluggish or freezing and operates on 12, 16.5 or 24 volts. The STI-7510-HTR/STI-7511-HTR enclosures include an external thumb or key lock and have a choice of two enclosed backboxes. STI-7520-HTR has a key lock and STI-7521-HTR has a thumb lock.

## How They Work

The radiant heat plate cycles as required to sustain a uniform temperature inside the enclosures. It has three thermostats; a control thermostat, over temperature safety thermostat and a low temperature warning that can connect to a supervisory panel. This allows electronics to be protected from extreme temperatures.



STI-7510F-HTR



STI-7511A-HTR



STI-7520-HTR

## Features

- Protection for large units against physical damage, dust, grime and severe environments.
- Enclosure offers three thermostats; a control thermostat, over temperature safety thermostat and a low temperature warning that can connect to a supervisory panel.
- The radiant heat plate prevents LCD displays from becoming sluggish or freezing.
- Mounting hardware and gaskets included.
- Allows electronic devices to be installed outdoors, in freezers, unheated warehouses or storage units.
- Includes 16.5VAC, 40VA Class 2 auto resetting transformer.
- Backed by a lifetime guarantee against breakage in normal use (one year on electronics).



## Safety Technology International, Inc.

2306 Airport Road • Waterford, Michigan 48327-1209

Phone: 248-673-9898 • Fax: 248-673-1246 • Toll Free: 800-888-4784 • E-mail: [info@sti-usa.com](mailto:info@sti-usa.com) • Web: [www.sti-usa.com](http://www.sti-usa.com)

Europe Branch Office • Unit 49G Pipers Road • Park Farm Industrial Estate • Redditch • Worcestershire • B98 0HU • England

Tel: 44 (0) 1527 520 999 • Fax: 44 (0) 1527 501 999 • Freephone: 0800 085 1678 (UK only) • E-mail: [info@sti-europe.com](mailto:info@sti-europe.com) • Web: [www.sti-europe.com](http://www.sti-europe.com)

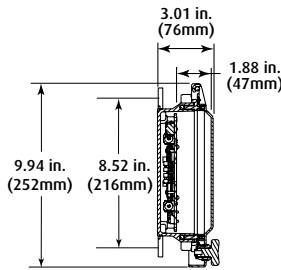
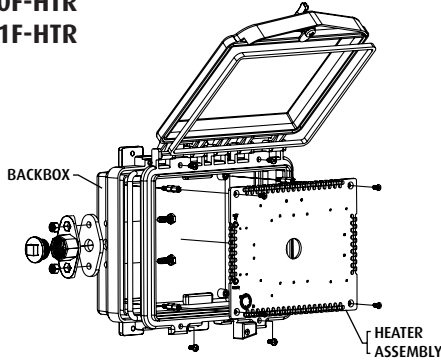
# STI HEATED POLYCARBONATE ENCLOSURES

## Dimensions and Technical Information

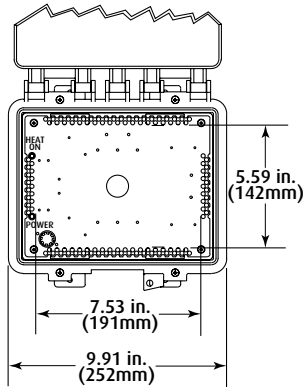
Models Available

<b>STI-7510A-HTR</b>	Cover with heater, external key lock and enclosed deep backbox
<b>STI-7510F-HTR</b>	Cover with heater, external key lock and enclosed backbox
<b>STI-7511A-HTR</b>	Cover with heater, external thumb lock and enclosed deep backbox
<b>STI-7511F-HTR</b>	Cover with heater, external thumb lock and enclosed backbox
<b>STI-7520-HTR</b>	Cover with heater, external key lock and enclosed backbox
<b>STI-7521-HTR</b>	Cover with heater, external thumb lock and enclosed backbox
<b>18021</b>	3/4" NEMA 4X Rated ridged conduit hub for "A" backbox (not included)
<b>SUB-6297B20</b>	3/4" conduit hub kit for "F" backbox (not included)

**STI-7510F-HTR**  
**STI-7511F-HTR**

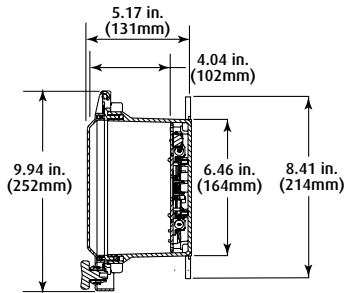
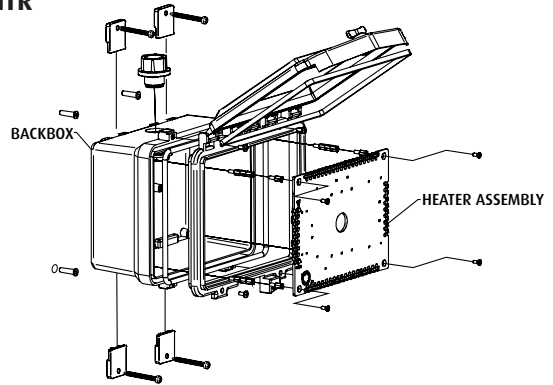


**F BACKBOX**

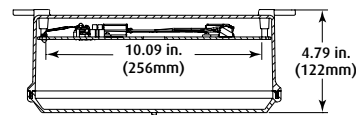
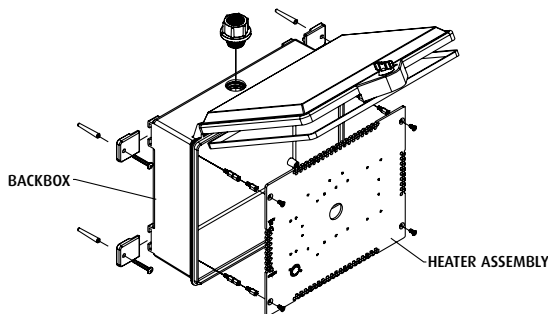


**A BACKBOX**

**STI-7510A-HTR**  
**STI-7511A-HTR**



**STI-7520-HTR**  
**STI-7521-HTR**



**SECTION B-B**

